

PRODUCT NUMBER
76745-YXX-XXLF

WHEN REQUIRED, ADD SUFFIX LETTER "LF"
INDICATES THE PRODUCT IS RoHS
COMPATIBLE, SEE NOTE 6

TOTAL NB OF POS (04 TO 72 POS)

PIN STYLE

PLATING

1 = 0.76µm GOLD/GXT,
OVER 1.27µm Ni MIN

8 = 0.38µm GOLD/GXT
OVER 1.27µm Ni MIN

3 = 3.81µm TIN/LEAD
OVER 1.27µm Ni MIN

- WHEN "LF" IS REQUIRED, 2µm MATTE
TIN OVER 1.27µm MIN NICKEL IS
PROVIDED INSTEAD OF TIN-LEAD

NOTES:

1. HOUSING MAT'L : HIGH TEMPERATURE THERMOPLASTIC. UL94V-0 COLOR: BLACK.
2. PIN MATERIAL : PHOSPHOR BRONZE.
3. 12N MIN RETENTION IN EITHER DIRECTION.
4. TO DETERMINE DIMENSIONS :
N = NUMBER OF POSITIONS PER ROW
EXAMPLE : 8 POS PER ROW, N x 2.54 = 20.32mm
5. FOR STANDARD SELECTIVE GOLD PLATED PRODUCTS SEE DRAWINGS 54112 & 54122.
6. STANDARD PACKAGING IN POLYBAGS
7. RoHS COMPATIBLE PRODUCT SPECIFICATIONS

a - PLATING:

- "LF" MEANS THE PRODUCT IS LEAD-FREE,
2µm MINIMUM MATTE TIN OVER 1.27µm
MINIMUM NICKEL UNDERPLATE.

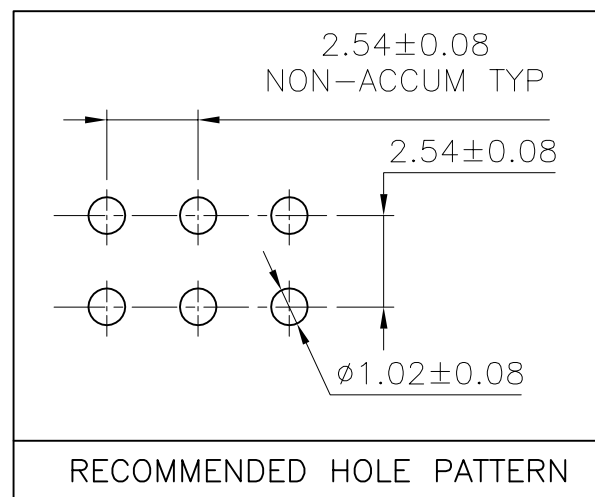
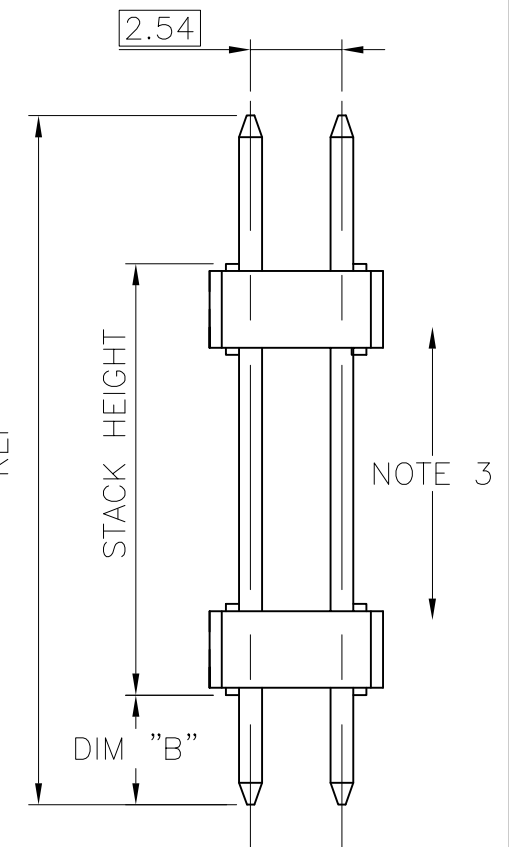
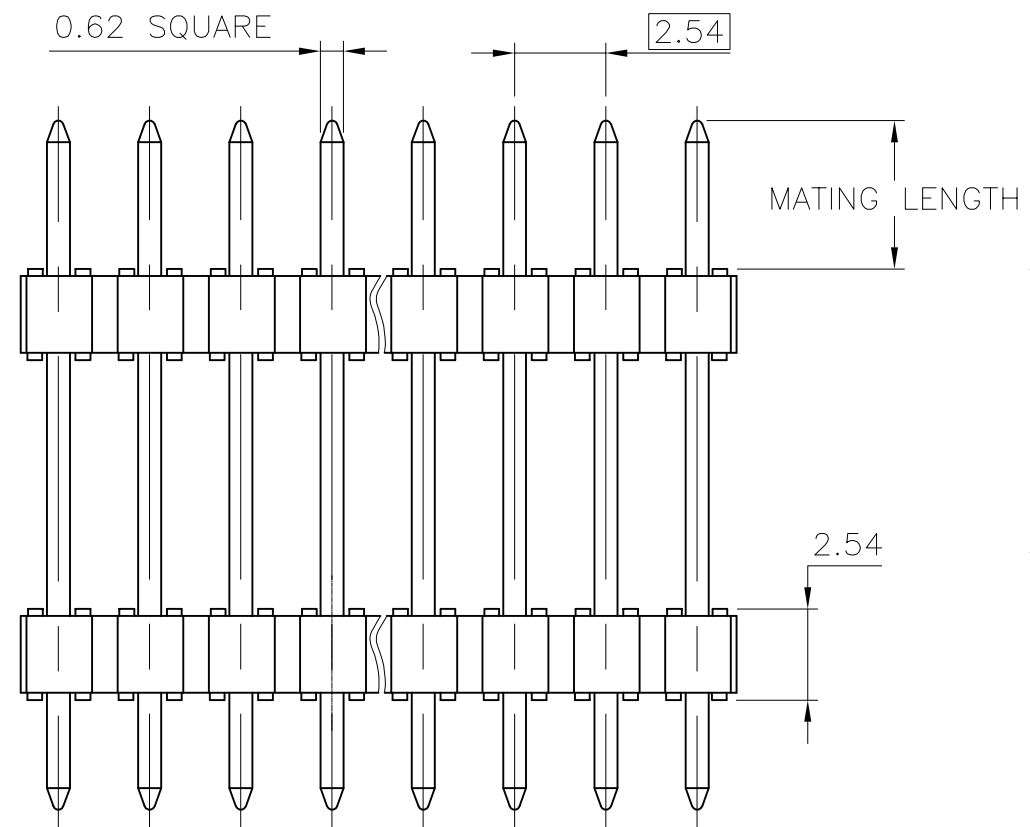
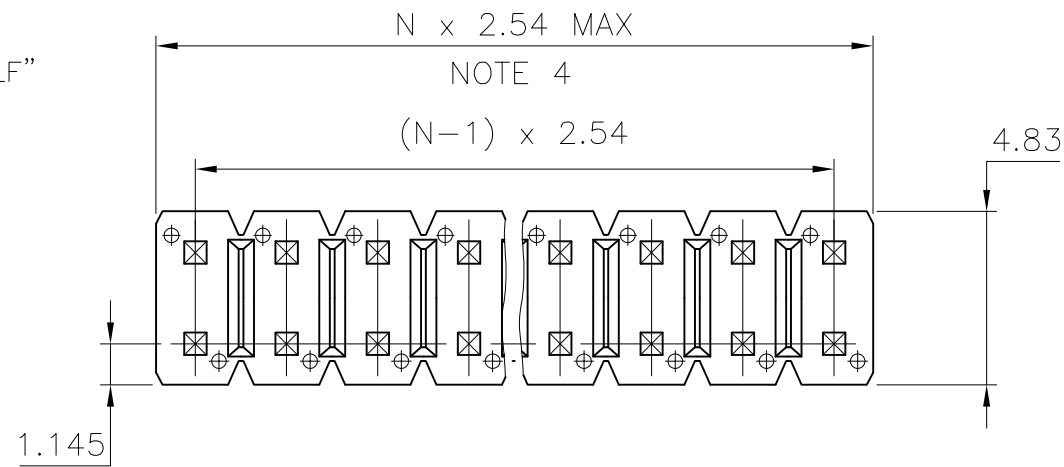
b - MANUFACTURING PROCESS COMPATIBILITY

- THE HOUSING WILL WITHSTAND EXPOSURE TO
260°C ±5°C SOLDER BATH TEMPERATURE FOR
WITH A 1.6mm MIN THICK CIRCUIT BOARD.

c - LABELING:

- MEETS PACKAGING SPECS AS PER GS-14-920

d - LEGAL STATEMENT: SEE GS-22-008



mat'l. code SEE NOTES		surface ISO 1302	tolerance ISO 406 ISO 1101	projection	product family BSTIK
ltr	ecn no	dr	date	tolerances unless otherwise specified	title HEADER STR,DR DOUBLE BODY
EP	F06-0196	LMU	06.06.20	angles	mm
ER	F07-0180	LMU	07.04.24	linear	
ES	F07-0266	J.CO	07.10.15	x.xx ±0.3	scale 5:1
ET	F08-0148	JCO	08.05.27	x.xx ±0.13	FCJ
EM	F05-0404	LMU	05.12.05	x.xxx ±0.05	
EN	F06-0110	LMU	06.01.26	dr NIZZI P 94.05.05	dwg no 76745
sheet	revision	ET	BS	enr COMPAGNON J 95.12.05	sheet 1 of 3
index	sheet	1	2	appd JMC 95.12.05	size A3
					type CUSTOMER Drawing

APPLICATION SPECIFIC				
PIN STYLE	MATING LENGTH ±0.2	STACK HEIGHT ±0.25	"B" ±0.25	("OAL") REF
01	8.71	19.76	2.65	31.12
02	6.87	16.5	3.05	26.42
03	6.87	13.0	3.63	23.5
04	5.6	6.5	2.88	14.98
05	5.51	8.0	3.05	16.56
06	6.61	11.3	3.05	20.96
07	5.58	10.3	2.54	18.42
08	5.81	7.7	3.05	16.56
09	5.72	5.08	2.54	13.34
10	6.9	10.45	2.71	20.06
11	11.2	9.5	2.8	23.5
12	3.11	8.0	3.11	14.22
13	9.07	6.3	3.05	18.42
14	5.33	21.5	2.48	29.31
15	13.26	10.11	3.05	26.42
17	7.5	23.45	3.05	34.0
18	7.5	18.85	2.96	29.31
19	9.5	10.45	3.55	23.5
21	11.96	18.5	3.2	33.66
23	9.0	25.9	3.05	37.95
24	8.87	14.5	3.05	26.42
25	9.84	11.43	9.85	31.12
26	7.5	8.38	2.54	18.42
28	6.6	8.25	2.8	17.65
29	9.1	15.7	3.2	28.0
30	8.0	14.35	2.55	24.9
31	8.0	22.8	3.2	34.0
34	8.0	12.0	3.0	23.0
35	7.41	7.7	2.54	17.65
36	10.55	7.5	10.53	28.58
37	5.72	20.44	7.5	33.66
40	7.0	6.5	3.06	16.56
41	7.72	9.0	3.05	19.77
47	5.59	13.0	3.05	21.64
48	8.54	16.5	2.96	28.0

APPLICATION SPECIFIC				
PIN STYLE	MATING LENGTH ±0.2	STACK HEIGHT ±0.25	"B" ±0.25	("OAL") REF
51	5.6	10.0	2.99	18.59
52	9.0	7.96	4.0	20.96
53	5.69	9.0	3.9	18.59
54	9.91	13.08	3.05	26.04
55	13.0	20.0	3.2	36.2
57	11.78	5.08	3.23	20.06
58	23.0	8.5	5.5	36.97
59	9.0	18.2	9.0	36.2
62	9.2	9.3	3.5	22.0
68	6.75	8.0	2.9	17.65
70	6.95	16.44	2.7	26.04
71	6.8	5.2	2.69	14.69
72	6.9	11.0	2.75	20.65
73	11.1	6.35	3.2	20.65
74	14.3	11.0	3.11	28.41
75	6.9	24.0	3.1	34.0
79	9.95	39.0	3.05	52.0
80	5.68	7.0	2.3	15.0
83	13.2	8.0	3.7	24.9
85	9.25	11.2	3.05	23.5
88	10.8	8.0	3.7	22.5
97	10.3	34.0	5.7	50.0
AM	8.46	5.08	8.46	22.0
AN	10.0	29.0	3.0	42.0
AT	8.0	13.3	2.2	23.5
BA	10.5	9.0	10.5	29.98
BB	8.5	11.5	5.4	25.4
BD	11.7	13.5	3.21	28.41

APPLICATION SPECIFIC				
PIN STYLE	MATING LENGTH ±0.2	STACK HEIGHT ±0.25	"B" ±0.25	("OAL") REF
BE	9.2	6.5	9.2	24.9
BM	11.5	11.5	3.04	26.04
BR	7.8	32.3	4.35	44.45
BT	8.5	35.0	8.5	52.0
BV	14.8	18.9	3.27	36.97
BW	7.7	29.0	3.3	40.0
BX	13.8	5.1	8.9	27.8
CB	9.0	30.0	3.0	42.0
CD	9.24	12.0	9.24	30.48
CE	3.10	11.45	3.10	17.65
CF	8.25	16.0	8.25	32.5
CG	6.0	40.0	6.0	52.0
CH	11.02	12.0	3.02	26.04
CK	8.55	26.0	3.4	37.95
CN	7.08	5.60	7.08	19.77
CP	9.50	7.00	2.41	18.91
CR	7.47	24.40	5.10	36.97
CS	8.30	5.50	5.97	19.77
CT	11.0	6.0	11.0	28.0
CU	9.75	13.0	9.75	32.5
CV	9.44	13.00	3.60	26.04
CW	5.00	36.00	5.00	46.00
CX	10.00	26.00	6.00	42.00
CY	10.9	18.20	10.9	40.00
CZ	5.5	23.00	5.50	34.00
DA	13.00	14.50	6.50	34.00
DB	12.75	8.50	12.75	34.00
DC	SEE SHEET 3			
DE	6.00	34.00	6.00	46.00

mat'l. code				surface	tolerance	projection	product family
				ISO 1302	ISO 406 ISO 1101		BSTIK
ltr	ecn no	dr	date	tolerances unless otherwise specified			title
BK	F20377	LMU	02.09.26	angles	linear		
BL	F20549	LMU	02.10.09			scale	HEADER STR,DR DOUBLE BODY
BM	F03-0202	LMU	03.04.28				
BN	F04-0387	LMU	04.12.20	dr	COMPAGNON J	94.05.05	dwg no
BP	F05-0404	LMU	05.12.05	engr	JMC	95.08.28	sheet 2 of -
BR	F06-0196	LMU	06.06.20	chr			size
BS	F07-0180	LMU	07.04.24	appd	JMC	95.08.28	76745 A3
sheet index		revision sheet				type CUSTOMER Drawing	

form: A3

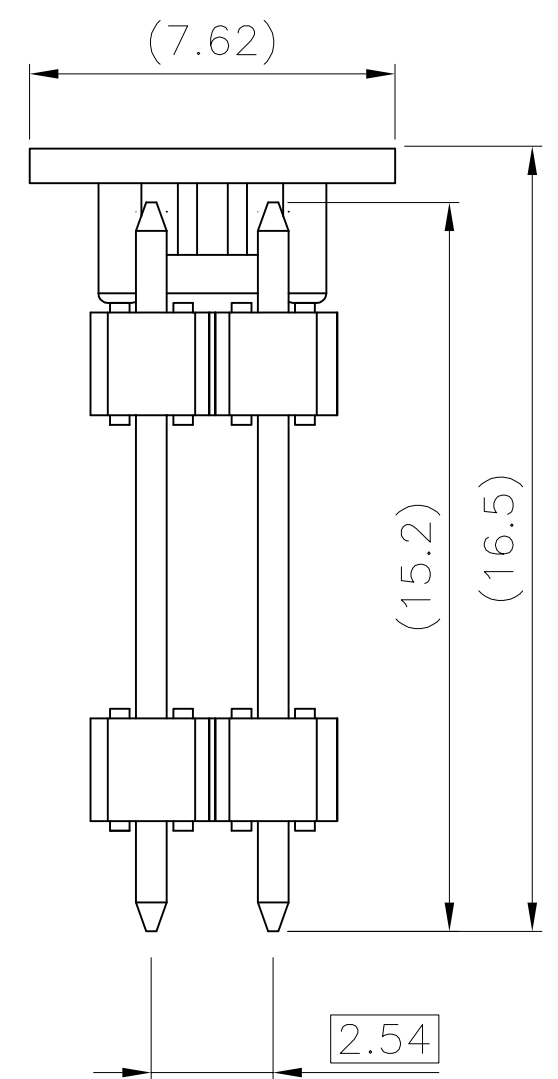
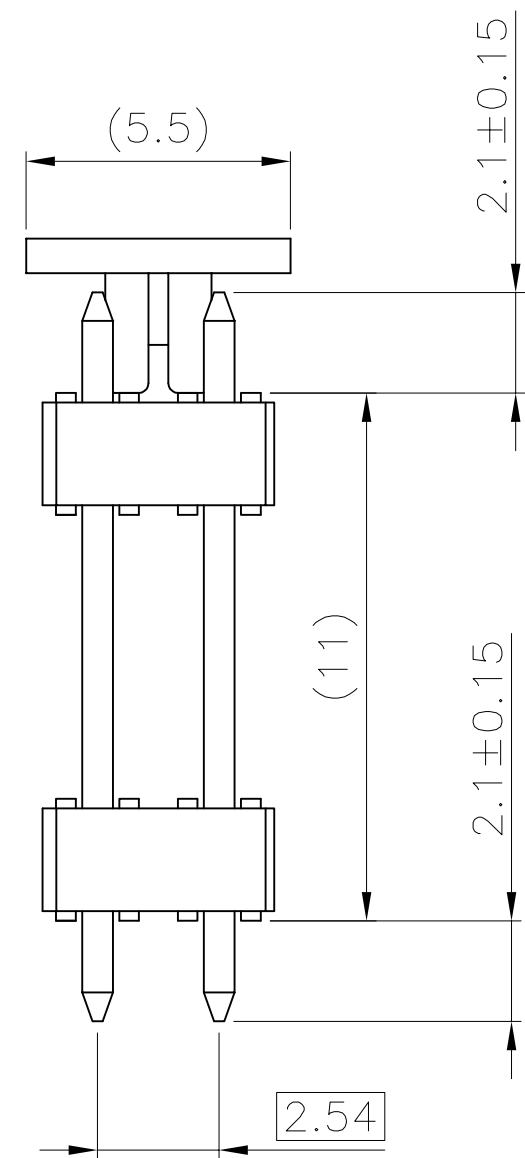
SPECIFIC PRODUCT NUMBER

76745-3DCA04LF

- RoHS COMPLIANT
- TOTAL NB OF POS
- PACKAGING TYPE, SEE NOTE 1
- PIN STYLE
- PLATING
3 = 2µm MATTE TIN
OVER 1.27µm Ni MIN

NOTES :

1. PACKAGING : A = TAPE & REEL PACKAGING WITH PICK UP CAP INSTALLED SEE TA 840
2. PRODUCT COMPATIBLE WITH REFLOW PROCESS. 255°C PEAK TEMPERATURE 10-40 SECONDES IN A CONVECTION, INFRA-RED OR VAPOR PHASE



mat'l. code				surface ISO 1302 <input checked="" type="checkbox"/> ISO 406 <input type="checkbox"/> ISO 1101		tolerance tolerances unless otherwise specified		projection 		product family BSTIK	
ltr	ecn no	dr	date	angles		linear		mm		title HEADER STR,DR DOUBLE BODY	
A	F06-110	LMU	06.01.26					scale		dwg no 76745	
B	F06-0196	LMU	06.06.20							sheet 3 of - A3	
C	F07-0266	J.CO	07.10.15							type CUSTOMER Drawing	
sheet index		revision sheet		dr L.MULIN 06.01.31		appd JMC 06.01.31				size A3	